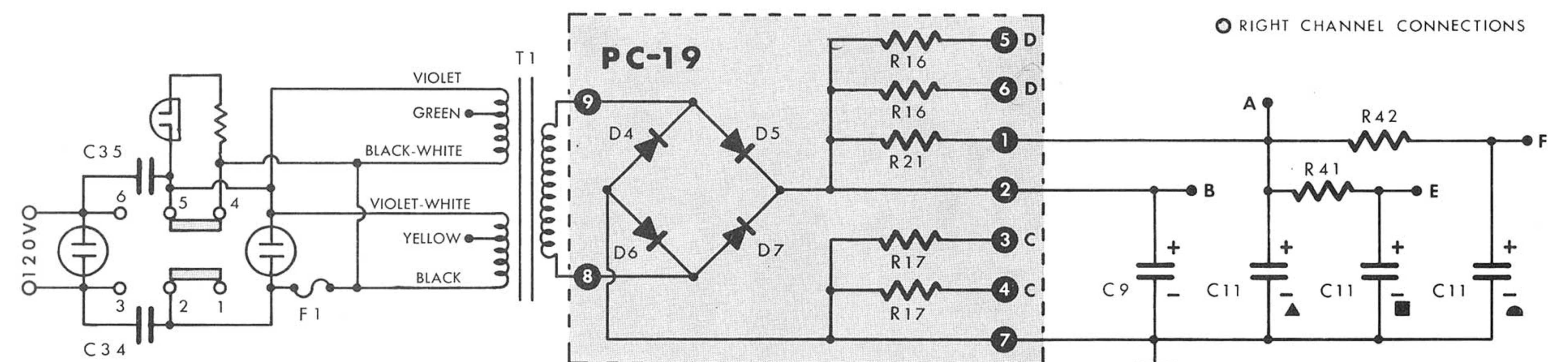
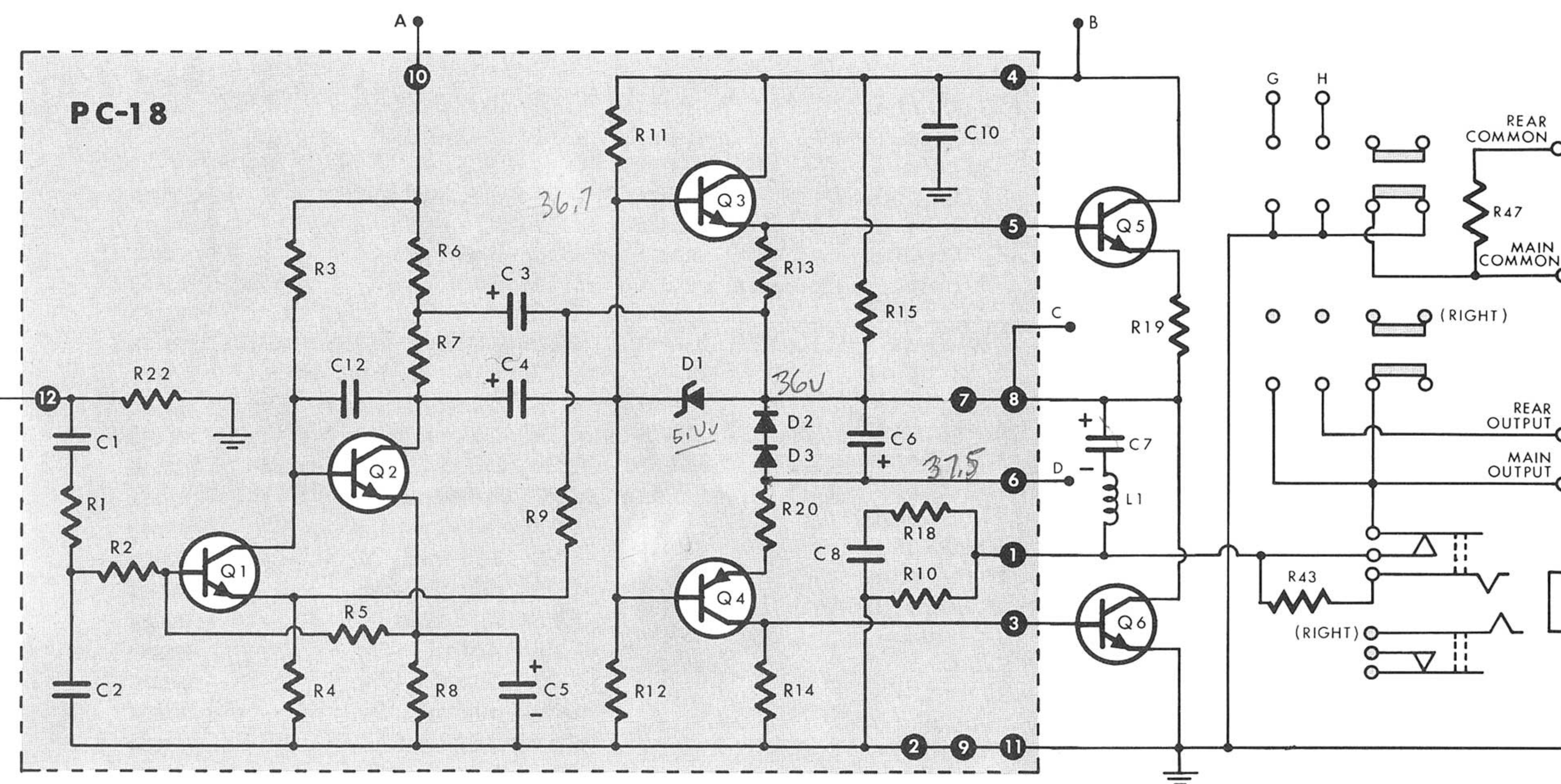


ALL WIRING NOT SHOWN FOR THE RIGHT CHANNEL IS THE SAME AS THE LEFT CHANNEL, WHICH IS SHOWN. RESISTOR AND CAPACITOR NUMBERS ARE THE SAME FOR THE PARTS ON BOTH CHANNELS.



VOLTAGE TEST POINTS

Measured with VTVM (TVM) at rated AC line voltage, 8 ohm load, shorted input. All voltages are DC unless specified AC. Voltages not shown are not significant for servicing purposes, as they may vary widely with different transistors and still be normal. Transistor lead voltages shown may vary $\pm 20\%$ or more. Other points should be within $\pm 10\%$.

PC-18	PC-19	Q7	Q8	Q9	Q10
#1 0	#1 71				
#2 0	#2 74	E .1	.8	.3	1.2
#3 <0.5	#3 36	B .7	1.5	.94	1.8
#4 74	#4 36	C 1.5	10	1.8	9.4
#5 36.5	#5 37.5				
#6 37.5	#6 37.5				
#7 36	#7 0				
#8 36	#8 } 54 AC*				
#9 0	#9 }				
#10 71					
#11 0					
#12 0					

Capacitor C-11

- ▲ 71
- 24
- ◐ 17.5

Dynaco SCA-80Q

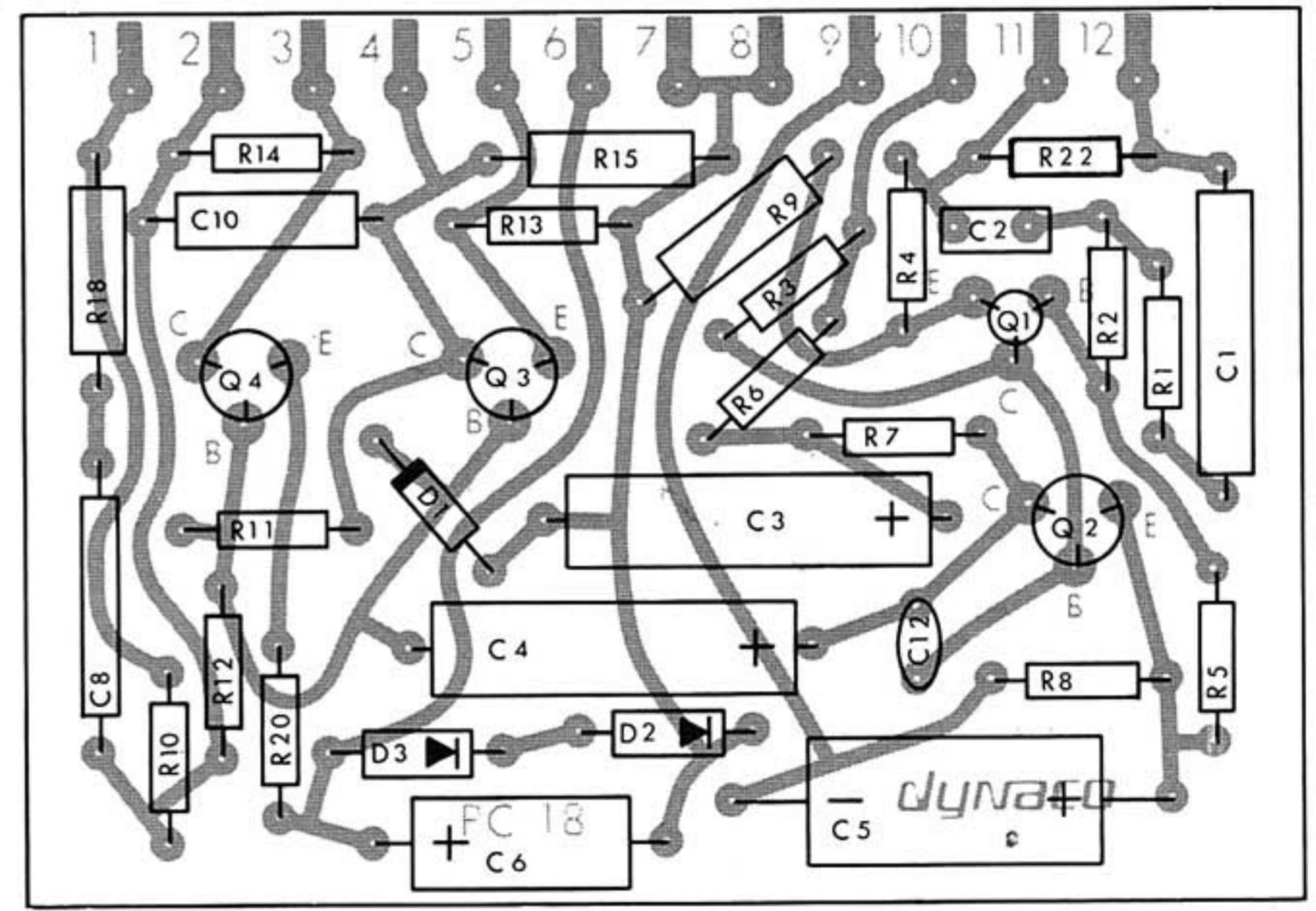
SCHEMATIC DIAGRAM

COMPONENT VALUES

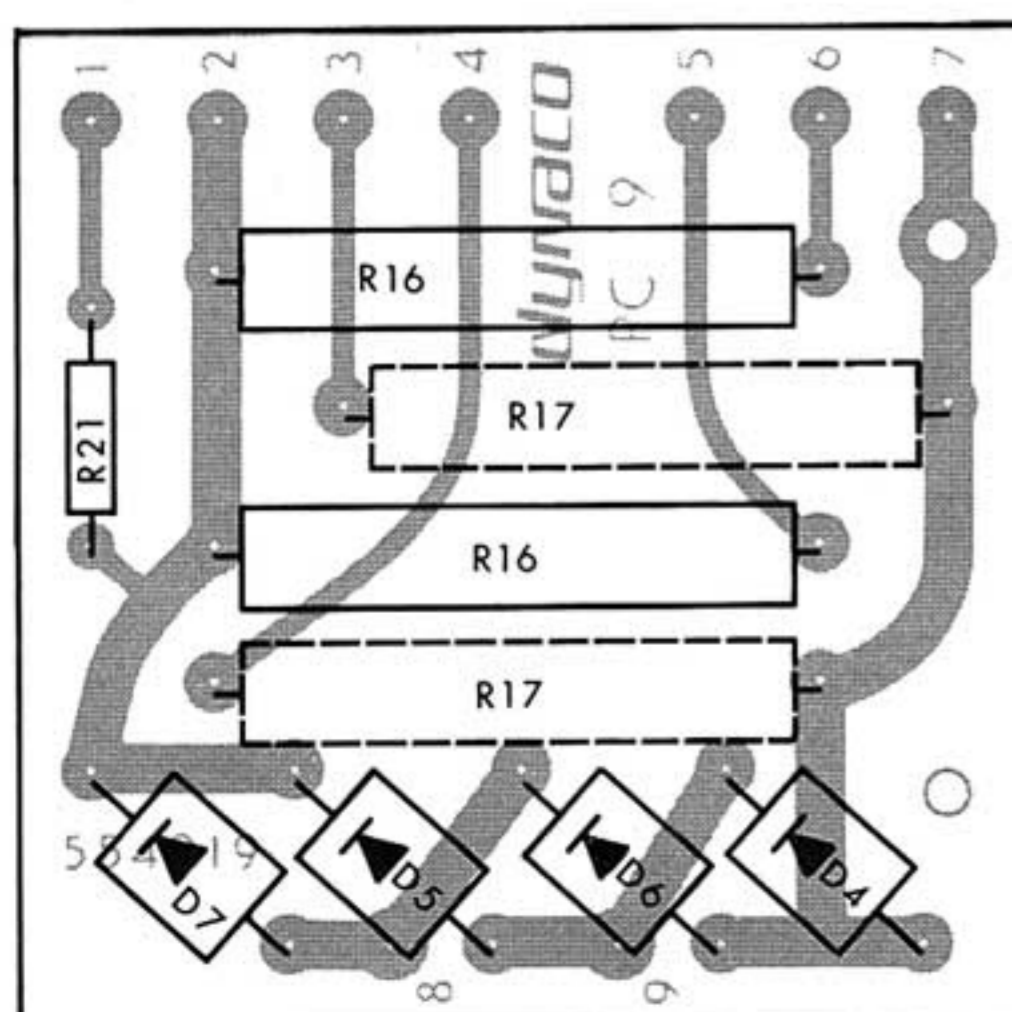
All resistors are 1/2 watt, 5% unless otherwise indicated.

<table border="0"> <tr><td>R 1</td><td>4,700 ohms</td><td>PART #</td><td>113472</td></tr> <tr><td>R 2</td><td>4,700 ohms</td><td></td><td>113472</td></tr> <tr><td>R 3</td><td>27,000 ohms</td><td></td><td>113273</td></tr> <tr><td>R 4</td><td>150 ohms</td><td></td><td>113151</td></tr> <tr><td>R 5</td><td>100,000 ohms</td><td></td><td>113104</td></tr> <tr><td>R 6</td><td>1,000 ohms</td><td></td><td>113102</td></tr> <tr><td>R 7</td><td>1,500 ohms</td><td></td><td>113152</td></tr> <tr><td>R 8</td><td>330 ohms</td><td></td><td>113331</td></tr> <tr><td>R 9</td><td>2,200 ohms, 1 watt</td><td></td><td>116222</td></tr> <tr><td>R10</td><td>1,000 ohms</td><td></td><td>113102</td></tr> <tr><td>R11</td><td>10,000 ohms</td><td></td><td>113103</td></tr> <tr><td>R12</td><td>10,000 ohms</td><td></td><td>113103</td></tr> <tr><td>R13</td><td>68 ohms</td><td></td><td>103680</td></tr> <tr><td>R14</td><td>68 ohms</td><td></td><td>103680</td></tr> <tr><td>R15</td><td>2,200 ohms, 1 watt</td><td></td><td>116222</td></tr> <tr><td>R16</td><td>400 ohms, 7 watt, 5%</td><td></td><td>120401</td></tr> <tr><td>R17</td><td>400 ohms, 7 watt, 5%</td><td></td><td>120401</td></tr> <tr><td>R18</td><td>4.7 ohms, 1 watt, 10%</td><td></td><td>125040</td></tr> <tr><td>R19</td><td>0.47 ohms, 2 watt, 10%</td><td></td><td>128004</td></tr> <tr><td>R20</td><td>3.3 ohms</td><td></td><td>103030</td></tr> <tr><td>R21</td><td>68 ohms</td><td></td><td>103680</td></tr> <tr><td>R22</td><td>10,000 ohms</td><td></td><td>113103</td></tr> <tr><td>R23</td><td>8,200 ohms</td><td></td><td>113822</td></tr> <tr><td>R24</td><td>18,000 ohms</td><td></td><td>113183</td></tr> <tr><td>R25</td><td>4,700 ohms</td><td></td><td>113472</td></tr> <tr><td>R26</td><td>33,000 ohms</td><td></td><td>113333</td></tr> <tr><td>R27</td><td>3,300 ohms</td><td></td><td>113332</td></tr> <tr><td>R28</td><td>47,000 ohms</td><td></td><td>113473</td></tr> <tr><td>R29</td><td>4,700 ohms</td><td></td><td>113472</td></tr> </table>	R 1	4,700 ohms	PART #	113472	R 2	4,700 ohms		113472	R 3	27,000 ohms		113273	R 4	150 ohms		113151	R 5	100,000 ohms		113104	R 6	1,000 ohms		113102	R 7	1,500 ohms		113152	R 8	330 ohms		113331	R 9	2,200 ohms, 1 watt		116222	R10	1,000 ohms		113102	R11	10,000 ohms		113103	R12	10,000 ohms		113103	R13	68 ohms		103680	R14	68 ohms		103680	R15	2,200 ohms, 1 watt		116222	R16	400 ohms, 7 watt, 5%		120401	R17	400 ohms, 7 watt, 5%		120401	R18	4.7 ohms, 1 watt, 10%		125040	R19	0.47 ohms, 2 watt, 10%		128004	R20	3.3 ohms		103030	R21	68 ohms		103680	R22	10,000 ohms		113103	R23	8,200 ohms		113822	R24	18,000 ohms		113183	R25	4,700 ohms		113472	R26	33,000 ohms		113333	R27	3,300 ohms		113332	R28	47,000 ohms		113473	R29	4,700 ohms		113472	<table border="0"> <tr><td>R30</td><td>56,000 ohms</td><td>PART #</td><td>113563</td></tr> <tr><td>R31</td><td>120 ohms</td><td></td><td>113121</td></tr> <tr><td>R32</td><td>330 ohms</td><td></td><td>113331</td></tr> <tr><td>R33</td><td>33,000 ohms</td><td></td><td>113333</td></tr> <tr><td>R34</td><td>3,300 ohms</td><td></td><td>113332</td></tr> <tr><td>R35</td><td>4,700 ohms</td><td></td><td>113472</td></tr> <tr><td>R36</td><td>390 ohms</td><td></td><td>113391</td></tr> <tr><td>R37</td><td>120,000 ohms</td><td></td><td>113124</td></tr> <tr><td>R38</td><td>270 ohms</td><td></td><td>113271</td></tr> <tr><td>R39</td><td>4,700 ohms</td><td></td><td>113472</td></tr> <tr><td>R40</td><td>68 ohms, 10%</td><td></td><td>112680</td></tr> <tr><td>R41</td><td>4,700 ohms</td><td></td><td>113472</td></tr> <tr><td>R42</td><td>10,000 ohms</td><td></td><td>113103</td></tr> <tr><td>R43</td><td>120 ohms</td><td></td><td>113121</td></tr> <tr><td>R44</td><td>47,000 ohms</td><td></td><td>113473</td></tr> <tr><td>R45</td><td>10,000 ohms</td><td></td><td>113103</td></tr> <tr><td>R46</td><td>10,000 ohms</td><td></td><td>113103</td></tr> <tr><td>R47</td><td>10 ohms, 10 watt, 10%</td><td></td><td>120100</td></tr> <tr><td>C 1</td><td>0.33 mfd</td><td></td><td>263334</td></tr> <tr><td>C 2</td><td>220 pf</td><td></td><td>245221</td></tr> <tr><td>C 3</td><td>35 mfd, 30v., non-polarized</td><td></td><td>283366</td></tr> <tr><td>C 4</td><td>35 mfd, 30v., non-pol.</td><td></td><td>283366</td></tr> <tr><td>C 5</td><td>500 mfd, 15v.</td><td></td><td>283507</td></tr> <tr><td>C 6</td><td>50 mfd, 10v., non-polarized</td><td></td><td>282506</td></tr> <tr><td>C 7</td><td>5000 mfd, 80v.</td><td></td><td>284508</td></tr> <tr><td>C 8</td><td>0.1 mfd</td><td></td><td>264104</td></tr> <tr><td>C 9</td><td>5000 mfd, 80v.</td><td></td><td>284508</td></tr> </table>	R30	56,000 ohms	PART #	113563	R31	120 ohms		113121	R32	330 ohms		113331	R33	33,000 ohms		113333	R34	3,300 ohms		113332	R35	4,700 ohms		113472	R36	390 ohms		113391	R37	120,000 ohms		113124	R38	270 ohms		113271	R39	4,700 ohms		113472	R40	68 ohms, 10%		112680	R41	4,700 ohms		113472	R42	10,000 ohms		113103	R43	120 ohms		113121	R44	47,000 ohms		113473	R45	10,000 ohms		113103	R46	10,000 ohms		113103	R47	10 ohms, 10 watt, 10%		120100	C 1	0.33 mfd		263334	C 2	220 pf		245221	C 3	35 mfd, 30v., non-polarized		283366	C 4	35 mfd, 30v., non-pol.		283366	C 5	500 mfd, 15v.		283507	C 6	50 mfd, 10v., non-polarized		282506	C 7	5000 mfd, 80v.		284508	C 8	0.1 mfd		264104	C 9	5000 mfd, 80v.		284508	<table border="0"> <tr><td>C10</td><td>0.01 mfd, 100v.</td><td>PART #</td><td>244104</td></tr> <tr><td>C11</td><td>700 mfd @ 75v. ▲</td><td></td><td></td></tr> <tr><td></td><td>700 mfd @ 60v. ■</td><td></td><td></td></tr> <tr><td></td><td>800 mfd @ 20v. ●</td><td></td><td>294228</td></tr> <tr><td>C12</td><td>27 pf</td><td></td><td>244271</td></tr> <tr><td>C13</td><td>0.01 mfd</td><td></td><td>244104</td></tr> <tr><td>C14</td><td>5 mfd, 15v.</td><td></td><td>283505</td></tr> <tr><td>C15</td><td>0.01 mfd, 5%</td><td></td><td>265103</td></tr> <tr><td>C16</td><td>3300 pf, 5%</td><td></td><td>265332</td></tr> <tr><td>C17</td><td>0.022 mfd</td><td></td><td>265223</td></tr> <tr><td>C18</td><td>5 mfd, 15v.</td><td></td><td>283505</td></tr> <tr><td>C19</td><td>100 pf, 5%</td><td></td><td>245101</td></tr> <tr><td>C20</td><td>50 mfd, 25v.</td><td></td><td>283516</td></tr> <tr><td>C21</td><td>0.015 mfd, 5%</td><td></td><td>265153</td></tr> <tr><td>C22</td><td>0.056 mfd, 5%</td><td></td><td>265563</td></tr> <tr><td>C23</td><td>100 mfd, 2v.</td><td></td><td>281107</td></tr> <tr><td>C24</td><td>50 mfd, 25v.</td><td></td><td>283516</td></tr> <tr><td>C25</td><td>0.33 mfd</td><td></td><td>263334</td></tr> <tr><td>C26</td><td>220 pf</td><td></td><td>245221</td></tr> <tr><td>C27</td><td>50 mfd, 25v.</td><td></td><td>283516</td></tr> <tr><td>C28</td><td>500 mfd, 2v.</td><td></td><td>281507</td></tr> <tr><td>C29</td><td>0.068 mfd</td><td></td><td>265683</td></tr> <tr><td>C30</td><td>0.1 mfd</td><td></td><td>264104</td></tr> <tr><td>C31</td><td>0.015 mfd, 5%</td><td></td><td>265153</td></tr> <tr><td>C32</td><td>0.22 mfd</td><td></td><td>265224</td></tr> <tr><td>C33</td><td>27 pf</td><td></td><td>244271</td></tr> <tr><td>C34</td><td>0.02 mfd</td><td></td><td>227203</td></tr> <tr><td>C35</td><td>0.02 mfd</td><td></td><td>227203</td></tr> </table>	C10	0.01 mfd, 100v.	PART #	244104	C11	700 mfd @ 75v. ▲				700 mfd @ 60v. ■				800 mfd @ 20v. ●		294228	C12	27 pf		244271	C13	0.01 mfd		244104	C14	5 mfd, 15v.		283505	C15	0.01 mfd, 5%		265103	C16	3300 pf, 5%		265332	C17	0.022 mfd		265223	C18	5 mfd, 15v.		283505	C19	100 pf, 5%		245101	C20	50 mfd, 25v.		283516	C21	0.015 mfd, 5%		265153	C22	0.056 mfd, 5%		265563	C23	100 mfd, 2v.		281107	C24	50 mfd, 25v.		283516	C25	0.33 mfd		263334	C26	220 pf		245221	C27	50 mfd, 25v.		283516	C28	500 mfd, 2v.		281507	C29	0.068 mfd		265683	C30	0.1 mfd		264104	C31	0.015 mfd, 5%		265153	C32	0.22 mfd		265224	C33	27 pf		244271	C34	0.02 mfd		227203	C35	0.02 mfd		227203
R 1	4,700 ohms	PART #	113472																																																																																																																																																																																																																																																																																																																																															
R 2	4,700 ohms		113472																																																																																																																																																																																																																																																																																																																																															
R 3	27,000 ohms		113273																																																																																																																																																																																																																																																																																																																																															
R 4	150 ohms		113151																																																																																																																																																																																																																																																																																																																																															
R 5	100,000 ohms		113104																																																																																																																																																																																																																																																																																																																																															
R 6	1,000 ohms		113102																																																																																																																																																																																																																																																																																																																																															
R 7	1,500 ohms		113152																																																																																																																																																																																																																																																																																																																																															
R 8	330 ohms		113331																																																																																																																																																																																																																																																																																																																																															
R 9	2,200 ohms, 1 watt		116222																																																																																																																																																																																																																																																																																																																																															
R10	1,000 ohms		113102																																																																																																																																																																																																																																																																																																																																															
R11	10,000 ohms		113103																																																																																																																																																																																																																																																																																																																																															
R12	10,000 ohms		113103																																																																																																																																																																																																																																																																																																																																															
R13	68 ohms		103680																																																																																																																																																																																																																																																																																																																																															
R14	68 ohms		103680																																																																																																																																																																																																																																																																																																																																															
R15	2,200 ohms, 1 watt		116222																																																																																																																																																																																																																																																																																																																																															
R16	400 ohms, 7 watt, 5%		120401																																																																																																																																																																																																																																																																																																																																															
R17	400 ohms, 7 watt, 5%		120401																																																																																																																																																																																																																																																																																																																																															
R18	4.7 ohms, 1 watt, 10%		125040																																																																																																																																																																																																																																																																																																																																															
R19	0.47 ohms, 2 watt, 10%		128004																																																																																																																																																																																																																																																																																																																																															
R20	3.3 ohms		103030																																																																																																																																																																																																																																																																																																																																															
R21	68 ohms		103680																																																																																																																																																																																																																																																																																																																																															
R22	10,000 ohms		113103																																																																																																																																																																																																																																																																																																																																															
R23	8,200 ohms		113822																																																																																																																																																																																																																																																																																																																																															
R24	18,000 ohms		113183																																																																																																																																																																																																																																																																																																																																															
R25	4,700 ohms		113472																																																																																																																																																																																																																																																																																																																																															
R26	33,000 ohms		113333																																																																																																																																																																																																																																																																																																																																															
R27	3,300 ohms		113332																																																																																																																																																																																																																																																																																																																																															
R28	47,000 ohms		113473																																																																																																																																																																																																																																																																																																																																															
R29	4,700 ohms		113472																																																																																																																																																																																																																																																																																																																																															
R30	56,000 ohms	PART #	113563																																																																																																																																																																																																																																																																																																																																															
R31	120 ohms		113121																																																																																																																																																																																																																																																																																																																																															
R32	330 ohms		113331																																																																																																																																																																																																																																																																																																																																															
R33	33,000 ohms		113333																																																																																																																																																																																																																																																																																																																																															
R34	3,300 ohms		113332																																																																																																																																																																																																																																																																																																																																															
R35	4,700 ohms		113472																																																																																																																																																																																																																																																																																																																																															
R36	390 ohms		113391																																																																																																																																																																																																																																																																																																																																															
R37	120,000 ohms		113124																																																																																																																																																																																																																																																																																																																																															
R38	270 ohms		113271																																																																																																																																																																																																																																																																																																																																															
R39	4,700 ohms		113472																																																																																																																																																																																																																																																																																																																																															
R40	68 ohms, 10%		112680																																																																																																																																																																																																																																																																																																																																															
R41	4,700 ohms		113472																																																																																																																																																																																																																																																																																																																																															
R42	10,000 ohms		113103																																																																																																																																																																																																																																																																																																																																															
R43	120 ohms		113121																																																																																																																																																																																																																																																																																																																																															
R44	47,000 ohms		113473																																																																																																																																																																																																																																																																																																																																															
R45	10,000 ohms		113103																																																																																																																																																																																																																																																																																																																																															
R46	10,000 ohms		113103																																																																																																																																																																																																																																																																																																																																															
R47	10 ohms, 10 watt, 10%		120100																																																																																																																																																																																																																																																																																																																																															
C 1	0.33 mfd		263334																																																																																																																																																																																																																																																																																																																																															
C 2	220 pf		245221																																																																																																																																																																																																																																																																																																																																															
C 3	35 mfd, 30v., non-polarized		283366																																																																																																																																																																																																																																																																																																																																															
C 4	35 mfd, 30v., non-pol.		283366																																																																																																																																																																																																																																																																																																																																															
C 5	500 mfd, 15v.		283507																																																																																																																																																																																																																																																																																																																																															
C 6	50 mfd, 10v., non-polarized		282506																																																																																																																																																																																																																																																																																																																																															
C 7	5000 mfd, 80v.		284508																																																																																																																																																																																																																																																																																																																																															
C 8	0.1 mfd		264104																																																																																																																																																																																																																																																																																																																																															
C 9	5000 mfd, 80v.		284508																																																																																																																																																																																																																																																																																																																																															
C10	0.01 mfd, 100v.	PART #	244104																																																																																																																																																																																																																																																																																																																																															
C11	700 mfd @ 75v. ▲																																																																																																																																																																																																																																																																																																																																																	
	700 mfd @ 60v. ■																																																																																																																																																																																																																																																																																																																																																	
	800 mfd @ 20v. ●		294228																																																																																																																																																																																																																																																																																																																																															
C12	27 pf		244271																																																																																																																																																																																																																																																																																																																																															
C13	0.01 mfd		244104																																																																																																																																																																																																																																																																																																																																															
C14	5 mfd, 15v.		283505																																																																																																																																																																																																																																																																																																																																															
C15	0.01 mfd, 5%		265103																																																																																																																																																																																																																																																																																																																																															
C16	3300 pf, 5%		265332																																																																																																																																																																																																																																																																																																																																															
C17	0.022 mfd		265223																																																																																																																																																																																																																																																																																																																																															
C18	5 mfd, 15v.		283505																																																																																																																																																																																																																																																																																																																																															
C19	100 pf, 5%		245101																																																																																																																																																																																																																																																																																																																																															
C20	50 mfd, 25v.		283516																																																																																																																																																																																																																																																																																																																																															
C21	0.015 mfd, 5%		265153																																																																																																																																																																																																																																																																																																																																															
C22	0.056 mfd, 5%		265563																																																																																																																																																																																																																																																																																																																																															
C23	100 mfd, 2v.		281107																																																																																																																																																																																																																																																																																																																																															
C24	50 mfd, 25v.		283516																																																																																																																																																																																																																																																																																																																																															
C25	0.33 mfd		263334																																																																																																																																																																																																																																																																																																																																															
C26	220 pf		245221																																																																																																																																																																																																																																																																																																																																															
C27	50 mfd, 25v.		283516																																																																																																																																																																																																																																																																																																																																															
C28	500 mfd, 2v.		281507																																																																																																																																																																																																																																																																																																																																															
C29	0.068 mfd		265683																																																																																																																																																																																																																																																																																																																																															
C30	0.1 mfd		264104																																																																																																																																																																																																																																																																																																																																															
C31	0.015 mfd, 5%		265153																																																																																																																																																																																																																																																																																																																																															
C32	0.22 mfd		265224																																																																																																																																																																																																																																																																																																																																															
C33	27 pf		244271																																																																																																																																																																																																																																																																																																																																															
C34	0.02 mfd		227203																																																																																																																																																																																																																																																																																																																																															
C35	0.02 mfd		227203																																																																																																																																																																																																																																																																																																																																															

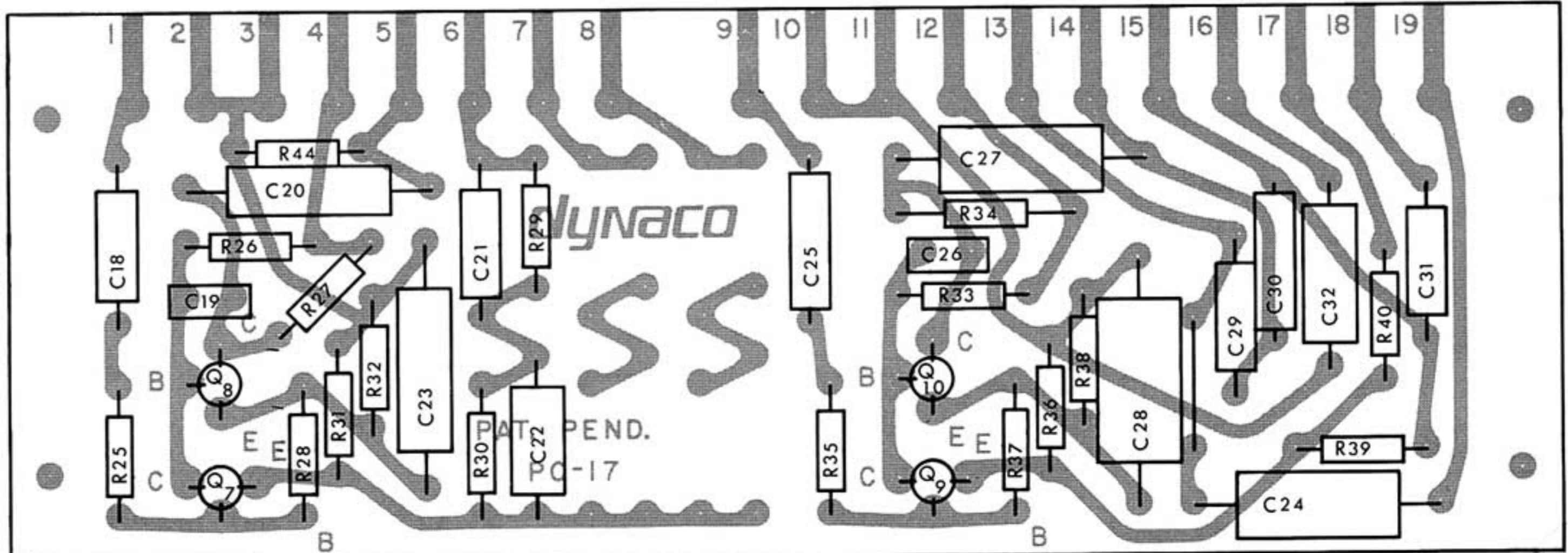
<table border="0"> <tr><td>F 1</td><td>Fuse, 2 amp slo-blo</td><td>PART #</td><td>342020</td></tr> <tr><td>F 2</td><td>Fuse, 1 amp slo-blo (alternate)</td><td></td><td>342010</td></tr> <tr><td>L 1</td><td>114 inches of #16 insulated wire</td><td></td><td>319913</td></tr> <tr><td>T 1</td><td>Dynaco power transformer 10490E</td><td></td><td>464019</td></tr> <tr><td>D 1</td><td>zener diode, 5.1 volt, 5%, 400 mw</td><td></td><td>540405</td></tr> <tr><td>D 2</td><td>silicon diode, 0.8 volt max. drop @ 100 ma.</td><td></td><td>544015</td></tr> <tr><td>D 3</td><td>silicon diode, 0.8 volt max. drop @ 100 ma.</td><td></td><td>544015</td></tr> <tr><td>D 4</td><td>silicon diode, 3 amperes, 200 prv.</td><td></td><td>544322</td></tr> <tr><td>D 5</td><td>silicon diode, 3 amperes, 200 prv.</td><td></td><td>544322</td></tr> <tr><td>D 6</td><td>silicon diode, 3 amperes, 200 prv.</td><td></td><td>544322</td></tr> <tr><td>D 7</td><td>silicon diode, 3 amperes, 200 prv.</td><td></td><td>544322</td></tr> <tr><td>Q 1</td><td>BC108A 170-260 Beta</td><td></td><td>572108</td></tr> <tr><td>Q 2</td><td>2N5320 140-260 Beta, 90 V_{cer}, r=5KΩ</td><td></td><td>572002</td></tr> <tr><td>Q 3</td><td>2N5320 100-200 Beta, 90 V_{cer}, r=5KΩ</td><td></td><td>572001</td></tr> <tr><td>Q 4</td><td>2N5322 100-160 Beta, 90 V_{cer}, r=5KΩ</td><td></td><td>562671</td></tr> <tr><td>Q 5</td><td>2N3772 40-90 Beta @ 1 A, 100 V_{cer}, r=100Ω</td><td></td><td>571844</td></tr> <tr><td>Q 6</td><td>2N3772 40-90 Beta @ 1 A, 100 V_{cer}, r=100Ω</td><td></td><td>571844</td></tr> <tr><td>Q 7</td><td>BC109B 240-500 Beta @ 5 volts, .2 ma</td><td></td><td>572109</td></tr> <tr><td>Q 8</td><td>BC109B 240-500 Beta @ 5 volts, .2 ma</td><td></td><td>572109</td></tr> <tr><td>Q 9</td><td>BC109B 240-500 Beta @ 5 volts, .2 ma</td><td></td><td>572109</td></tr> <tr><td>Q 10</td><td>BC109B 240-500 Beta @ 5 volts, .2 ma</td><td></td><td>572109</td></tr> </table>	F 1	Fuse, 2 amp slo-blo	PART #	342020	F 2	Fuse, 1 amp slo-blo (alternate)		342010	L 1	114 inches of #16 insulated wire		319913	T 1	Dynaco power transformer 10490E		464019	D 1	zener diode, 5.1 volt, 5%, 400 mw		540405	D 2	silicon diode, 0.8 volt max. drop @ 100 ma.		544015	D 3	silicon diode, 0.8 volt max. drop @ 100 ma.		544015	D 4	silicon diode, 3 amperes, 200 prv.		544322	D 5	silicon diode, 3 amperes, 200 prv.		544322	D 6	silicon diode, 3 amperes, 200 prv.		544322	D 7	silicon diode, 3 amperes, 200 prv.		544322	Q 1	BC108A 170-260 Beta		572108	Q 2	2N5320 140-260 Beta, 90 V _{cer} , r=5K Ω		572002	Q 3	2N5320 100-200 Beta, 90 V _{cer} , r=5K Ω		572001	Q 4	2N5322 100-160 Beta, 90 V _{cer} , r=5K Ω		562671	Q 5	2N3772 40-90 Beta @ 1 A, 100 V _{cer} , r=100 Ω		571844	Q 6	2N3772 40-90 Beta @ 1 A, 100 V _{cer} , r=100 Ω		571844	Q 7	BC109B 240-500 Beta @ 5 volts, .2 ma		572109	Q 8	BC109B 240-500 Beta @ 5 volts, .2 ma		572109	Q 9	BC109B 240-500 Beta @ 5 volts, .2 ma		572109	Q 10	BC109B 240-500 Beta @ 5 volts, .2 ma		572109	<table border="0"> <tr><td>Volume control</td><td>250,000 ohms tapped</td><td>PART #</td><td>177254</td></tr> <tr><td>Balance control</td><td>220,000 ohms special</td><td></td><td>167224</td></tr> <tr><td>Bass control</td><td>50,000 ohms special</td><td></td><td>167514</td></tr> <tr><td>Treble control</td><td>40,000 ohms special</td><td></td><td>167404</td></tr> </table>	Volume control	250,000 ohms tapped	PART #	177254	Balance control	220,000 ohms special		167224	Bass control	50,000 ohms special		167514	Treble control	40,000 ohms special		167404
F 1	Fuse, 2 amp slo-blo	PART #	342020																																																																																																		
F 2	Fuse, 1 amp slo-blo (alternate)		342010																																																																																																		
L 1	114 inches of #16 insulated wire		319913																																																																																																		
T 1	Dynaco power transformer 10490E		464019																																																																																																		
D 1	zener diode, 5.1 volt, 5%, 400 mw		540405																																																																																																		
D 2	silicon diode, 0.8 volt max. drop @ 100 ma.		544015																																																																																																		
D 3	silicon diode, 0.8 volt max. drop @ 100 ma.		544015																																																																																																		
D 4	silicon diode, 3 amperes, 200 prv.		544322																																																																																																		
D 5	silicon diode, 3 amperes, 200 prv.		544322																																																																																																		
D 6	silicon diode, 3 amperes, 200 prv.		544322																																																																																																		
D 7	silicon diode, 3 amperes, 200 prv.		544322																																																																																																		
Q 1	BC108A 170-260 Beta		572108																																																																																																		
Q 2	2N5320 140-260 Beta, 90 V _{cer} , r=5K Ω		572002																																																																																																		
Q 3	2N5320 100-200 Beta, 90 V _{cer} , r=5K Ω		572001																																																																																																		
Q 4	2N5322 100-160 Beta, 90 V _{cer} , r=5K Ω		562671																																																																																																		
Q 5	2N3772 40-90 Beta @ 1 A, 100 V _{cer} , r=100 Ω		571844																																																																																																		
Q 6	2N3772 40-90 Beta @ 1 A, 100 V _{cer} , r=100 Ω		571844																																																																																																		
Q 7	BC109B 240-500 Beta @ 5 volts, .2 ma		572109																																																																																																		
Q 8	BC109B 240-500 Beta @ 5 volts, .2 ma		572109																																																																																																		
Q 9	BC109B 240-500 Beta @ 5 volts, .2 ma		572109																																																																																																		
Q 10	BC109B 240-500 Beta @ 5 volts, .2 ma		572109																																																																																																		
Volume control	250,000 ohms tapped	PART #	177254																																																																																																		
Balance control	220,000 ohms special		167224																																																																																																		
Bass control	50,000 ohms special		167514																																																																																																		
Treble control	40,000 ohms special		167404																																																																																																		



PC-18



PC-19



PC-17